

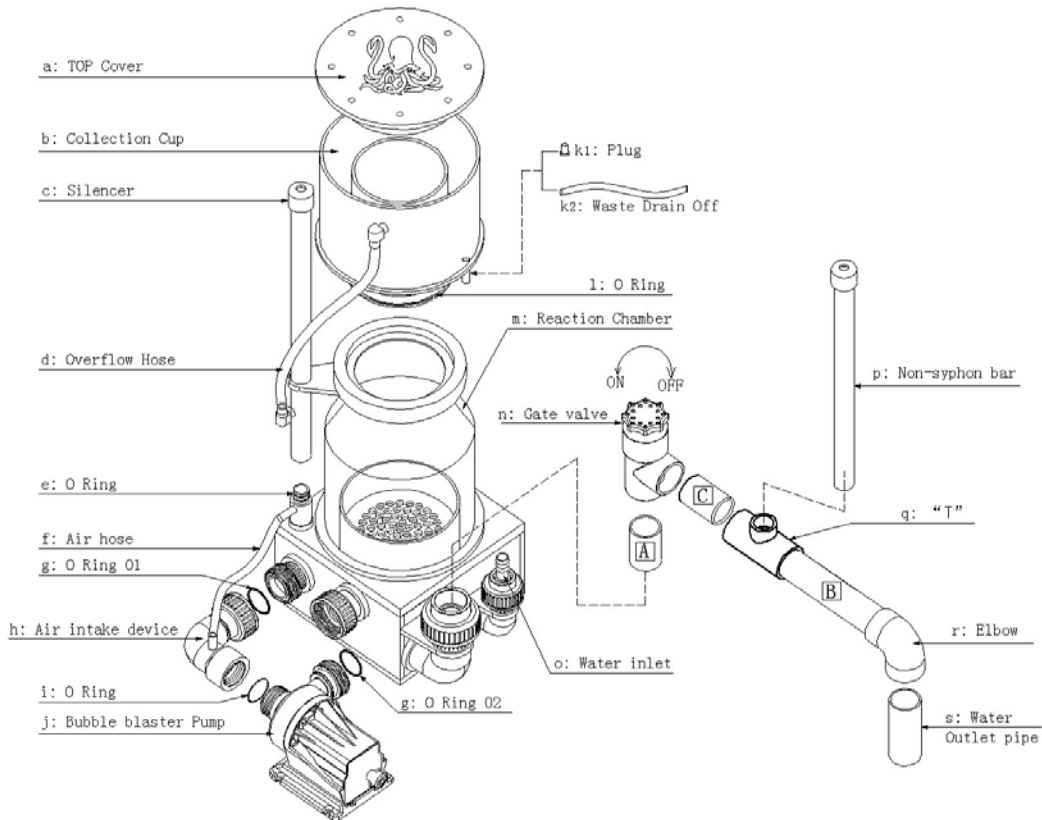


Thank you for purchasing "SUPER REEF OCTUPUS" protein skimmer. For optimum performance and safety, please read this instruction manual carefully and keep it handy for future reference.

SUPER REEF OCTUPUS

SRO-5000E External

Protein skimmers are used in saltwater aquariums to remove certain organic compounds, including proteins and amino acids, by using the polarity of the protein itself, from the water to stop most of them decomposing into nitrogenous waste. Because of the intrinsic charge, water-borne proteins are attracted to the air-water interface. Protein skimmers work by injecting numerous tiny bubbles into the water chamber, which present an enormous air-water interface for the protein molecules to cling to. The more tiny bubbles reside in the chamber, the more proteins it absorbs. Protein skimming is the only way of physical filtration that gets rid of the organic compounds before its decomposition, lightening the load on the biological filter and improving the water's redox potential.



PARTS CHECK LIST:

- | | | | |
|-----------------------|-----------------------------|-----------------------------|----------------------|
| a. Top cover | f. Air hose | k. Plug/drain off hose | p. Non-syphon bar |
| b. Collection cup | g. Pump out/in orings 01/02 | l. Collection cup O Ring | q. T fitting |
| c. Silencer | h. Air intake device | m. Reaction Chamber | r. Elbow |
| d. Overflow hose | i. Air intake/pump oring | n. Gate valve | s. Water outlet pipe |
| e. Oring for silencer | j. BB 5000 pump | o. Water inlet barb fitting | ABC pipes(outlets) |

Installation

1. Remove the skimmer and all the parts from the package. Check to insure all parts are accounted for. There are 8 orings included and 6 already installed: 1 is a white collection cup oring(l), 2/3 is the small white orings for silencer(e), 4 is the black oring 02 for pump outlet(g), 5 is the small black oring for the water inlet, and 6 is the black oring for union under water outlet piping. The 2 orings in the bag are: 1 is the black oring for inlet on body(g) and 2 is the white oring for the air intake(i).
2. Attach air intake device (h) to the pump (j) and skimmer body. Affix small soft air hose (h) onto air intake or venturi. Attach the other side of the air hose to the silencer base. Attach pump (j) to skimmer body according to the illustration. Make sure all orings are seated inside unions.
3. Attach silencer pipe (c) to silencer base on skimmer making sure to slide it down through the silencer holder.
4. Setup water outlet pipe system according to illustration. Start with inserting small A pipe onto outlet union attached to skimmer. Insert gate valve (n) onto A pipe. Insert C pipe into gate valve (n). Insert T fitting (q) into C pipe. Insert B pipe into T fitting (q). Insert elbow (r) into B pipe. Insert water outlet pipe (s) into elbow (r). Insert the non-syphon bar (p) into t fitting (q). There is a british to metric conversion coupling included in case you need to expand your plumbing.
5. Inset the collection cup with top cover onto the skimmer chamber. Make sure the white collection cup O-ring is in place. The additional hard hose (k) can be attached to drain or the drain plug (k) can be inserted. Attach the overflow hose (d) to the silencer. The other end of the hose attaches to the collection cup.
6. Put the skimmer in place. Connect a feed pump to the water inlet (o). We recommend a 600gph feed pump for this skimmer. Turn the gate valve to adjust the water level inside the skimmer. The water level inside the skimmer should be 2 inches below the collar or top of the chamber for the initial setup.
7. Please allow 3-4 weeks for break in. Then adjust the gate valve to your water level preference for skimming.

Maintenance

Collection Cup: It should be cleaned at least once a week, depending on the organic load. Cleaning will enhance the extraction substantially.

Reaction Chamber: Take apart skimmer and clean every 6 months recommended.

Pump: Take apart pump and clean every 4 months recommended. Use a vinegar/water solution for cleaning off excess build up. The parts included with the pump are the venturi, clear volute cover with 3 screws, and pinwheel impeller with oring.

Safety Tips

1. Do not allow the skimmer pump to run dry as it will melt the pump.
2. Do not touch the plug with wet hands.
3. Do not clean the skimmer with any chemicals that include alcohol or ammonia as acrylic crazing can occur.

Warranty

Super Reef Octopus skimmers have a 3 year warranty on craftsmanship and Bubble Blaster pumps. We will take responsibility for the products as long as it's been installed and used properly. Consumable spare parts are not applicable to the warranty.

If your Reef Octopus product does not appear to be working correctly or be defective, please contact your local dealer. Or you can contact us at 985-781-9078 or support@coralvue.com