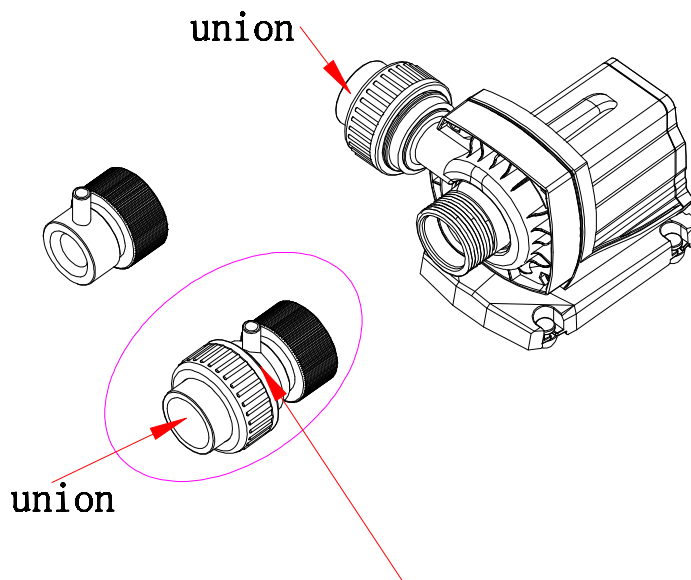


Skimmer Pump	inlet size	Outlet size
HY-1000S	$\phi 25\text{mm}$ (3/4")	$\phi 25\text{mm}$ (3/4")
HY-2000S	$\phi 32\text{mm}$ (1")	$\phi 32\text{mm}$ (1")
HY-3000S	$\phi 32\text{mm}$ (1")	$\phi 32\text{mm}$ (1")
HY-5000S	$\phi 40\text{mm}$ (1-1/4")	$\phi 40\text{mm}$ (1-1/4")
HY-5000S	$\phi 40\text{mm}$ (1-1/4")	$\phi 40\text{mm}$ (1-1/4")



Special external venturi for customer DIY
their own external recirculating skimmer